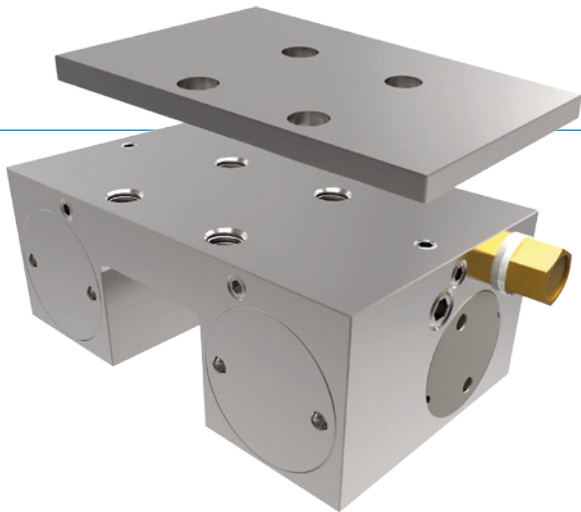


# CLAMPING ELEMENTS | PNEUMATIC SERIES MK

## ▶ PRODUCT ADVANTAGES



- ▶ **broad range of products**  
For all common profile rail guides
- ▶ **Energize to close (NO)**  
Closing with pressure
- ▶ **high durability**  
Up to 5 million static clamping cycles

## ▶ THE BEST PRODUCT FOR YOUR APPLICATION

### APPLICATION SCENARIOS

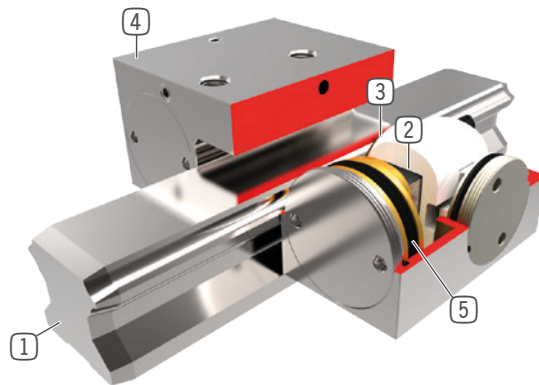
- ▶ **Positioning of axes**
- ▶ **Fixing of vertical axes**
- ▶ **Positioning of lifting units**

### FURTHER INFORMATION

- ▶ **Spacer plate**  
In addition, a spacer plate might have to be ordered as height compensation, depending on the height of the rail carriage (dimension D).
- ▶ **Special variants on request, e.g.**  
With proximity switch monitoring  
With additional air connection (from above, from the front)

## ► BENEFITS IN DETAIL

- ① **Profile rail guide**  
- Available for all common profile rail guides
- ② **Wedge-type gear**  
- Power transmission between piston and clamping jaw
- ③ **Clamping jaw**  
- Pressed at the free surfaces of the profile rail guide
- ④ **Housing**  
- chemically nickel plated steel
- ⑤ **Pneumatic piston**  
- The piston moves the wedge-type gear longitudinally



## ► INFORMATION ON THE SERIES

### TECHNICAL DATA

Rail size	12-100 mm
Holding force	350-2250 N
Pressure min. / max.	3 / 6.5
Spring storage	inexistent
PLUS connection	No
Static clamping cycles (B10d value)	up to 5 million
Dynamic braking cycles	not suitable
Operation	pneumatic
Operating temperature	-10 ... +70 [°C]



### ► Technical Information

All information just a click away at: [www.zimmer-group.de](http://www.zimmer-group.de)

Find data, illustrations, 3D models and operating instructions for your installation size using the order number for your desired model.

Quick, clear and always up-to-date.

### ► Selection guide for clamping and braking elements

Whatever the possible application – here, you'll find the right product.

Easy selection of the right element for any rail-carriage combination: [www.zimmer-group.de/de/plr](http://www.zimmer-group.de/de/plr).